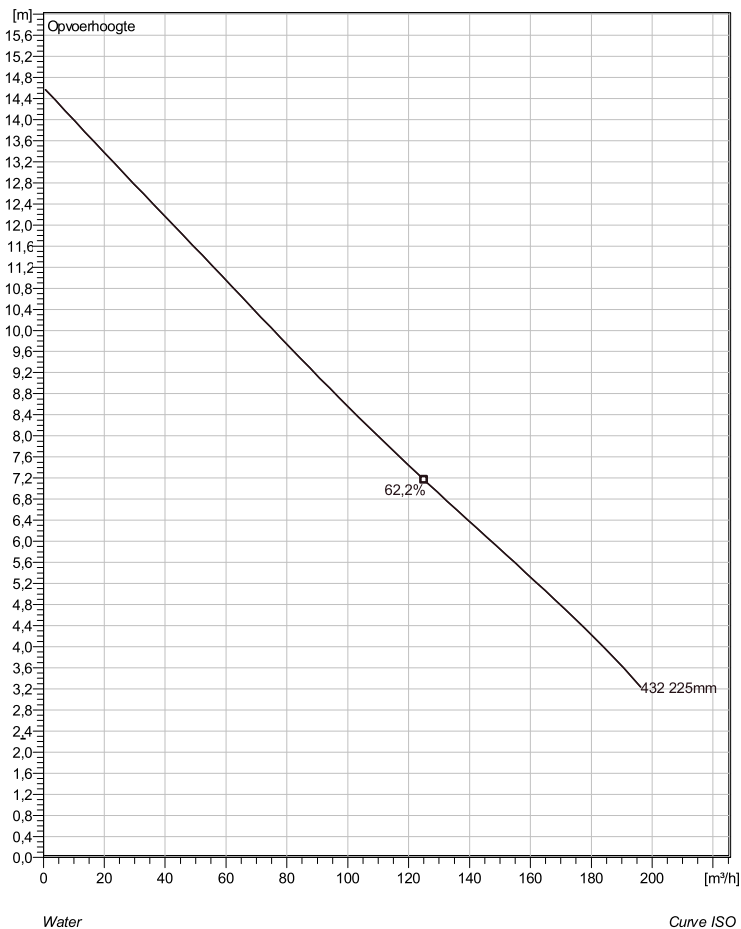
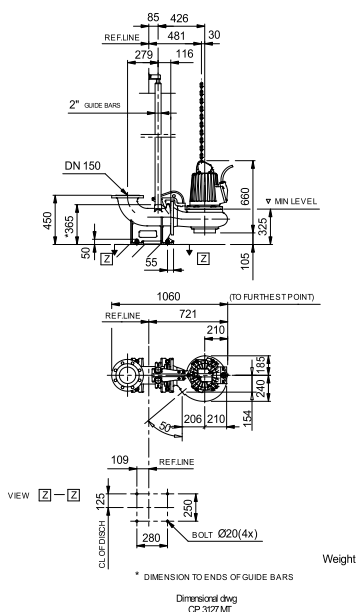


## CP 3127 MT 3~ 432 Technische specificaties



Soort installatie: Semi Permanent, Nat



Note: Picture might not correspond to the current configuration.

### General

Dompelbare pompen voorzien van één of meerkanaalwaaijer met grote doorlaat. Geschikt voor afvalwater met grotere delen zoals rioolwater, regenwater en industrieel afvalwater. Materiaal gietijzer.

### Impeller

|                       |                |
|-----------------------|----------------|
| Impeller material     | Grey cast iron |
| Persaansluiting       | 150 mm         |
| Diameter aanzuigzijde | 150 mm         |
| Impeller diameter     | 225 mm         |
| Aantal bladen         | 1              |
| Throughlet diameter   | 100 mm         |

### Motor

|                    |                                       |
|--------------------|---------------------------------------|
| Motor #            | C3127.182 21-10-4AL-W 4.7KW standaard |
| Stator variant     | 28                                    |
| Frequentie         | 50 Hz                                 |
| Nominale spanning  | 190 V                                 |
| Aantal polen       | 4                                     |
| Fasen              | 3~                                    |
| Nominaal vermogen  | 4,7 kW                                |
| Toegekende stroom  | 21 A                                  |
| Aanloopstroom      | 138 A                                 |
| Nominaal toerental | 1450 rpm                              |
| Vermogensfactor    |                                       |
| 1/1 Load           | 0,82                                  |
| 3/4 Load           | 0,76                                  |
| 1/2 Load           | 0,65                                  |
| Motor efficiency   |                                       |
| 1/1 Load           | 82,4 %                                |
| 3/4 Load           | 82,3 %                                |
| 1/2 Load           | 79,8 %                                |

|         |            |            |                         |             |
|---------|------------|------------|-------------------------|-------------|
| Project | Project ID | Created by | Created on<br>9/28/2018 | Last update |
|---------|------------|------------|-------------------------|-------------|

## CP 3127 MT 3~ 432

### Karakteristiek

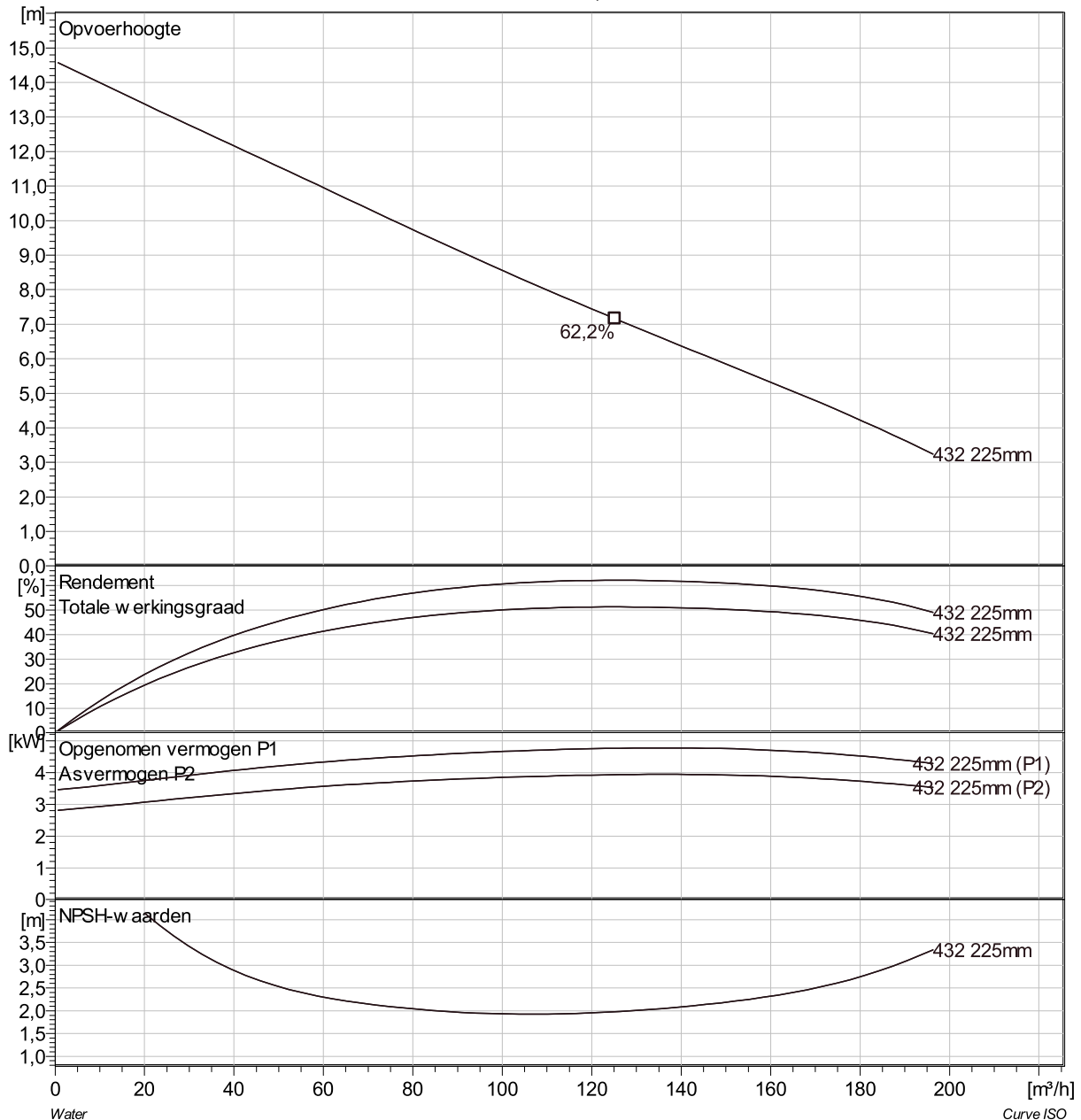
#### Pomp

|                       |        |
|-----------------------|--------|
| Persaansluiting       | 150 mm |
| Diameter aanzuigzijde | 150 mm |
| Impeller diameter     | 225 mm |
| Aantal bladen         | 1      |
| Throughlet diameter   | 100 mm |

#### Motor

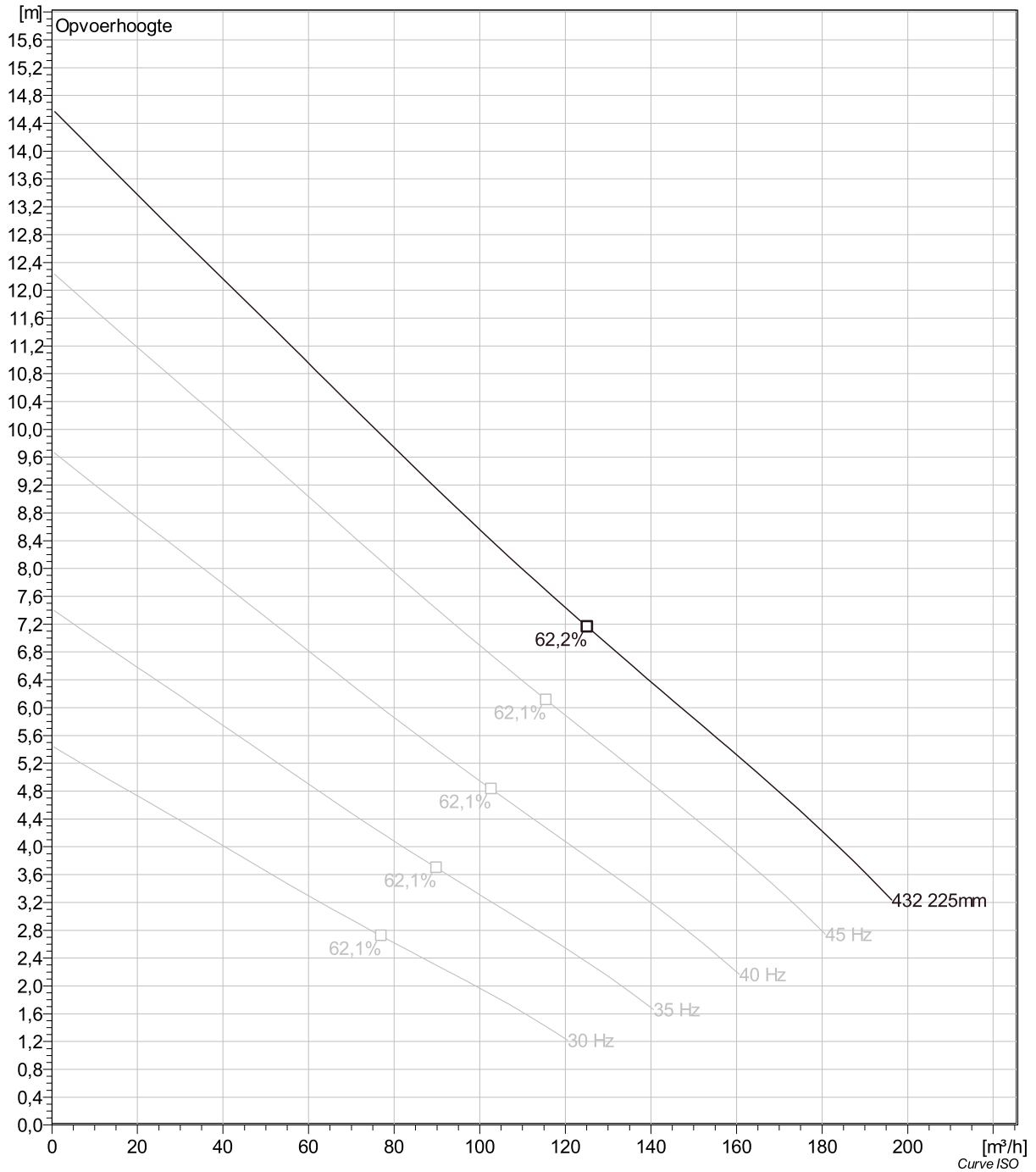
|                    |                             |
|--------------------|-----------------------------|
| Motor #            | C3127.182 21-10-4AL-W 4.7KW |
| Stator variant     | 28                          |
| Frequentie         | 50 Hz                       |
| Nominale spanning  | 190 V                       |
| Aantal polen       | 4                           |
| Fasen              | 3~                          |
| Nominaal vermogen  | 4,7 kW                      |
| Toegekende stroom  | 21 A                        |
| Aanloopstroom      | 138 A                       |
| Nominaal toerental | 1450 rpm                    |

|                  |        |
|------------------|--------|
| Vermogensfactor  |        |
| 1/1 Load         | 0,82   |
| 3/4 Load         | 0,76   |
| 1/2 Load         | 0,65   |
| Motor efficiency |        |
| 1/1 Load         | 82,4 % |
| 3/4 Load         | 82,3 % |
| 1/2 Load         | 79,8 % |



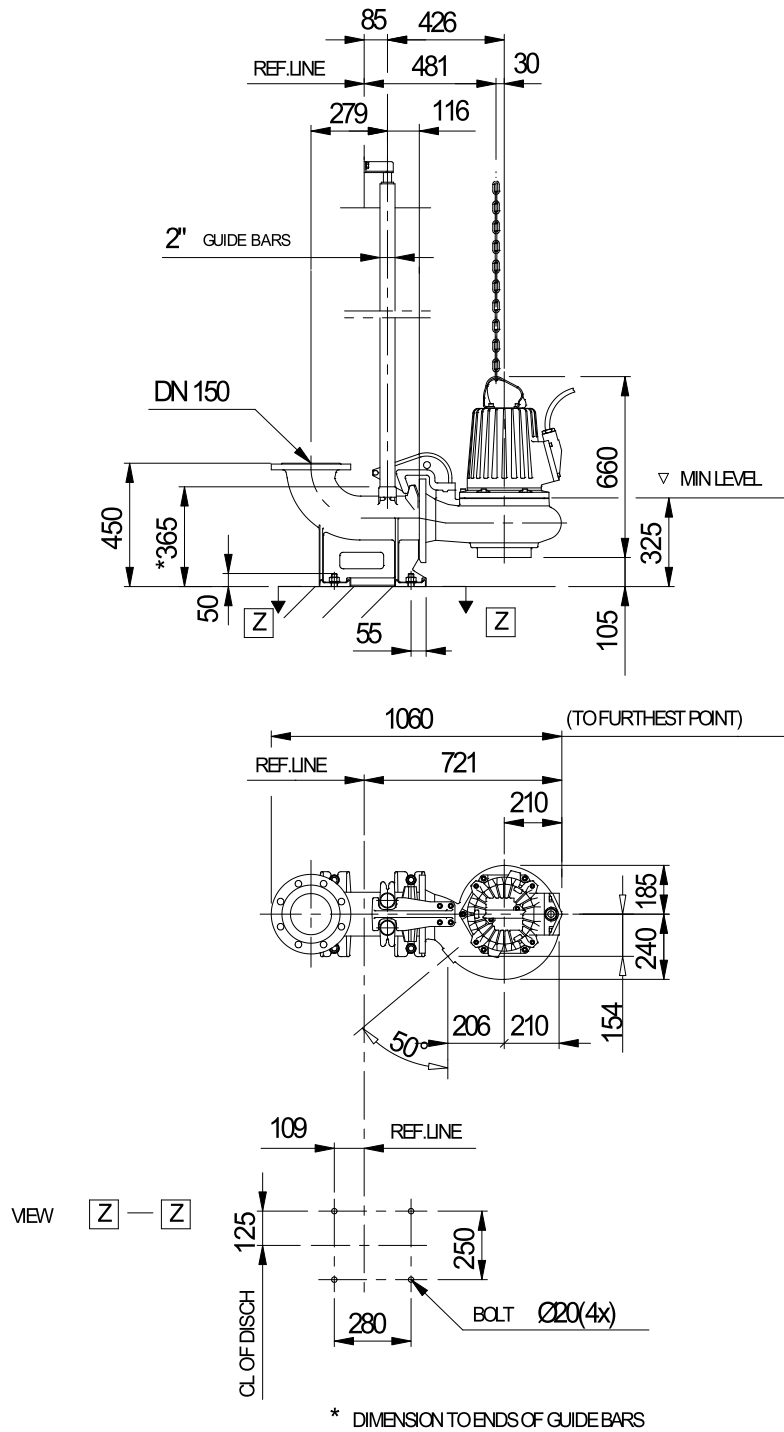
|         |            |            |                         |             |
|---------|------------|------------|-------------------------|-------------|
| Project | Project ID | Created by | Created on<br>9/28/2018 | Last update |
|---------|------------|------------|-------------------------|-------------|

## CP 3127 MT 3~ 432 VFD Analysis



| Project | Project ID | Created by | Created on | Last update |
|---------|------------|------------|------------|-------------|
|         |            |            | 9/28/2018  |             |

## CP 3127 MT 3~ 432 Dimensional drawing



Weight

Dimensional drwg  
CP 3127 MT

| Project | Project ID | Created by | Created on | Last update |
|---------|------------|------------|------------|-------------|
|         |            |            | 9/28/2018  |             |