



## NS 3315 LT 3~ 625

### Karakteristiek

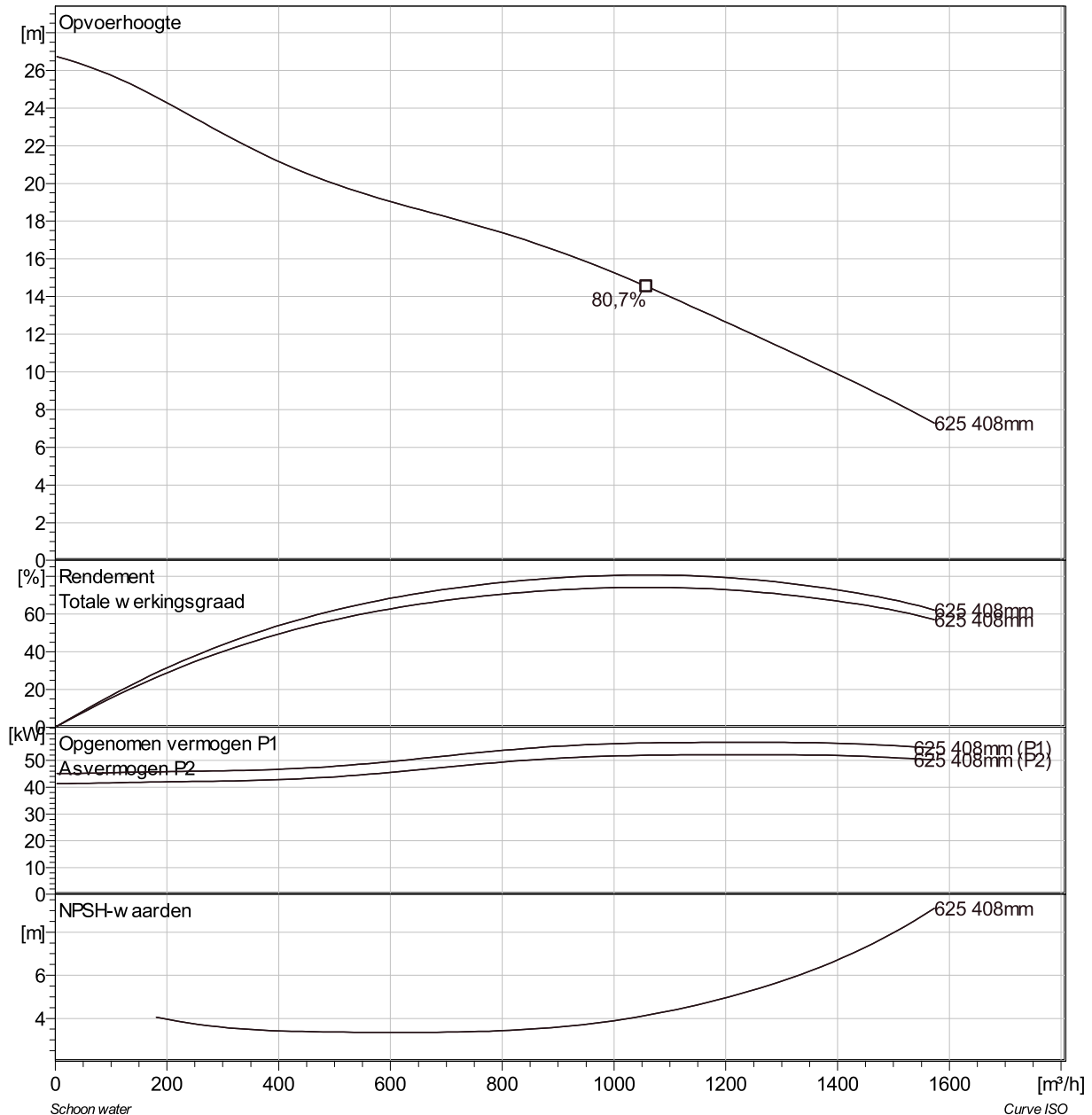
#### Pomp

Persaansluiting	300 mm
Diameter aanzuigzijde	300 mm
Impeller diameter	408 mm
Aantal bladen	3

#### Motor

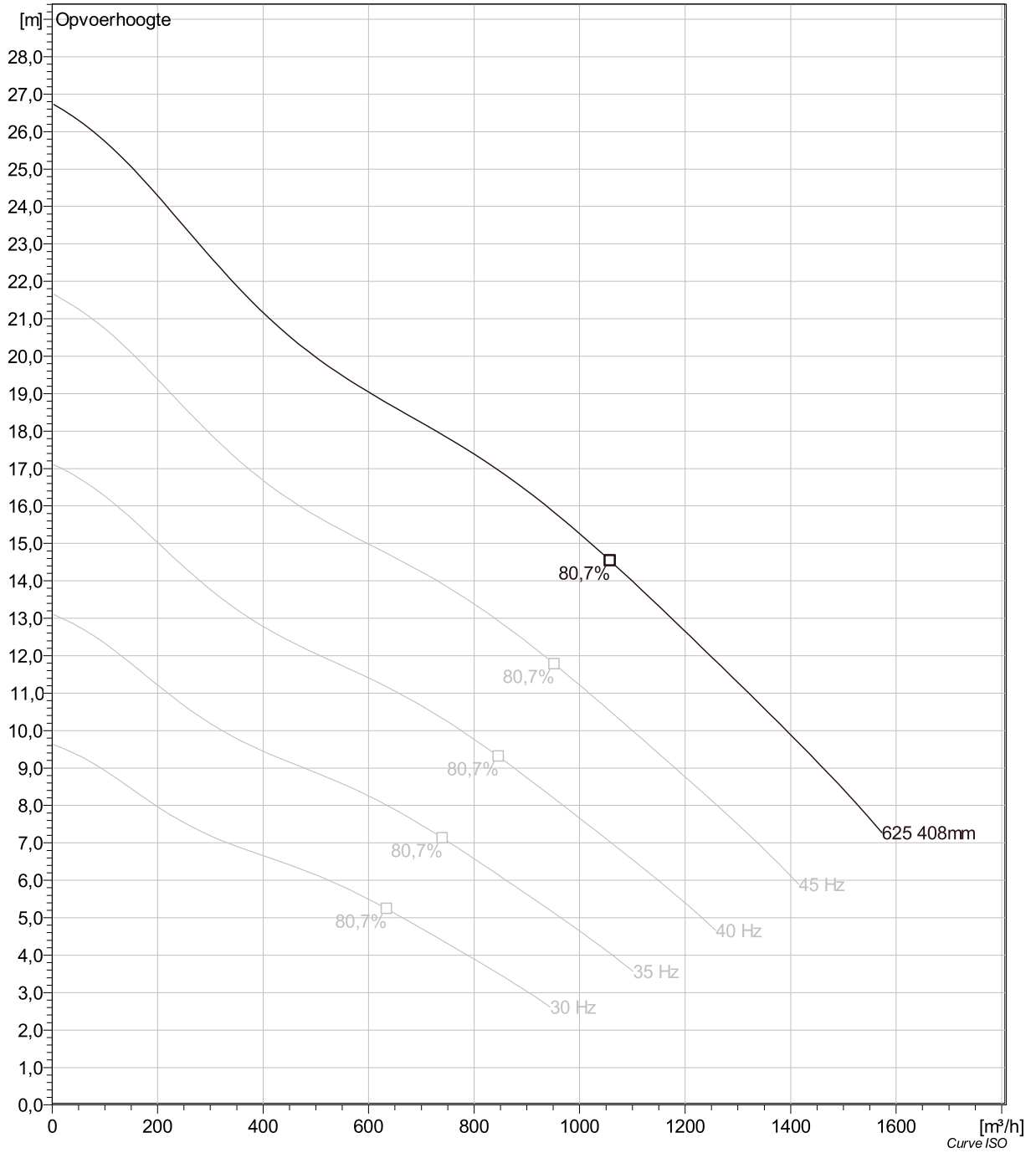
Motor #	N3315.180 35-35-6AA-W 75KW
Stator variant	9
Frequentie	50 Hz
Nominale spanning	380 V
Aantal polen	6
Fasen	3~
Nominaal vermogen	75 kW
Toegekende stroom	160 A
Aanloopstroom	995 A
Nominaal toerental	985 rpm

Vermogensfactor	
1/1 Load	0,78
3/4 Load	0,72
1/2 Load	0,60
Motor efficiency	
1/1 Load	91,2 %
3/4 Load	91,8 %
1/2 Load	91,5 %



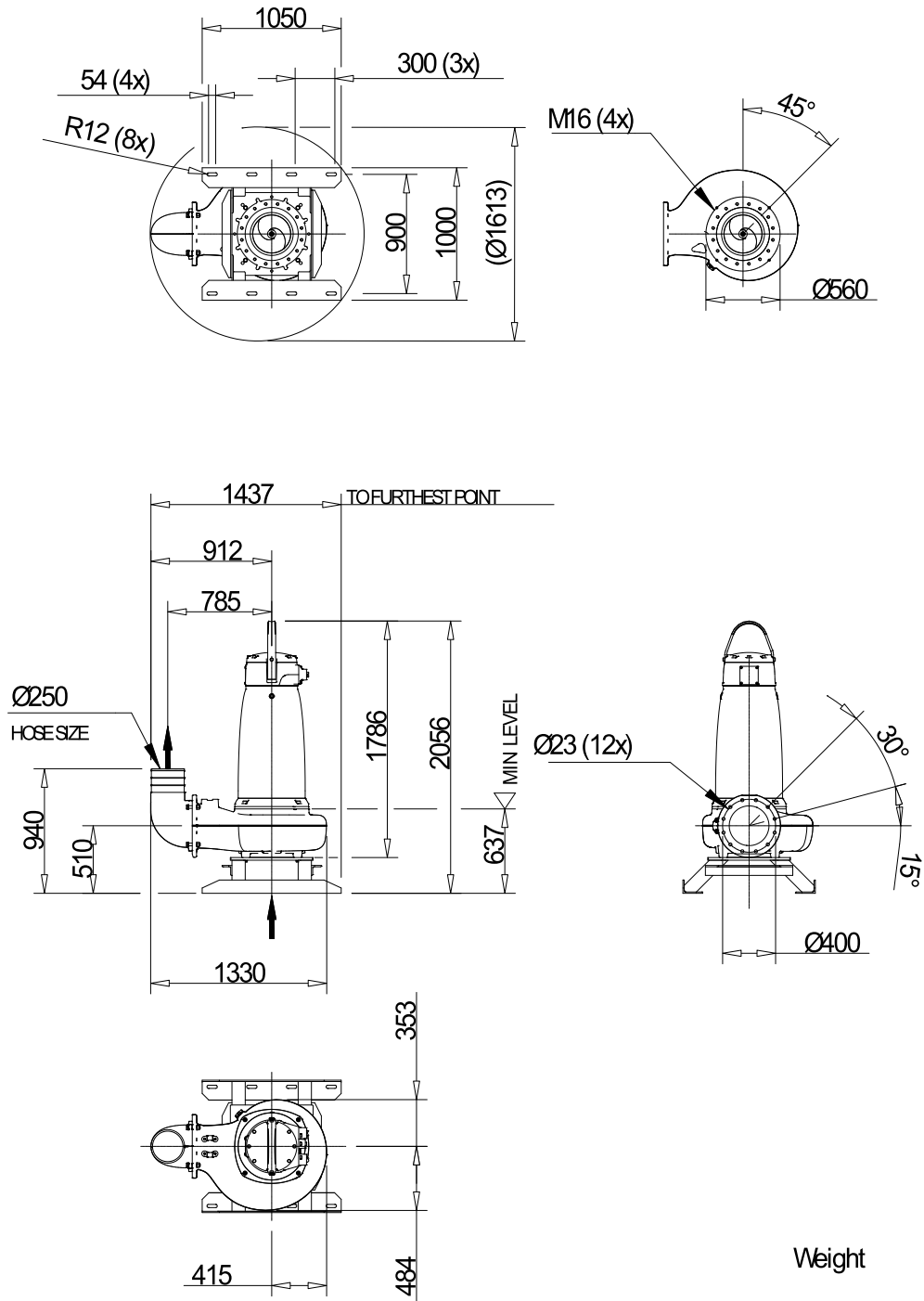
Project	Project ID	Created by	Created on 10/5/2018	Last update
---------	------------	------------	-------------------------	-------------

## NS 3315 LT 3~ 625 VFD Analysis



Project	Project ID	Created by	Created on	Last update
			10/5/2018	

## NS 3315 LT 3~ 625 Dimensional drawing



Weight

Dimensional drwg  
NS3315LT

Project	Project ID	Created by	Created on	Last update
			10/5/2018	