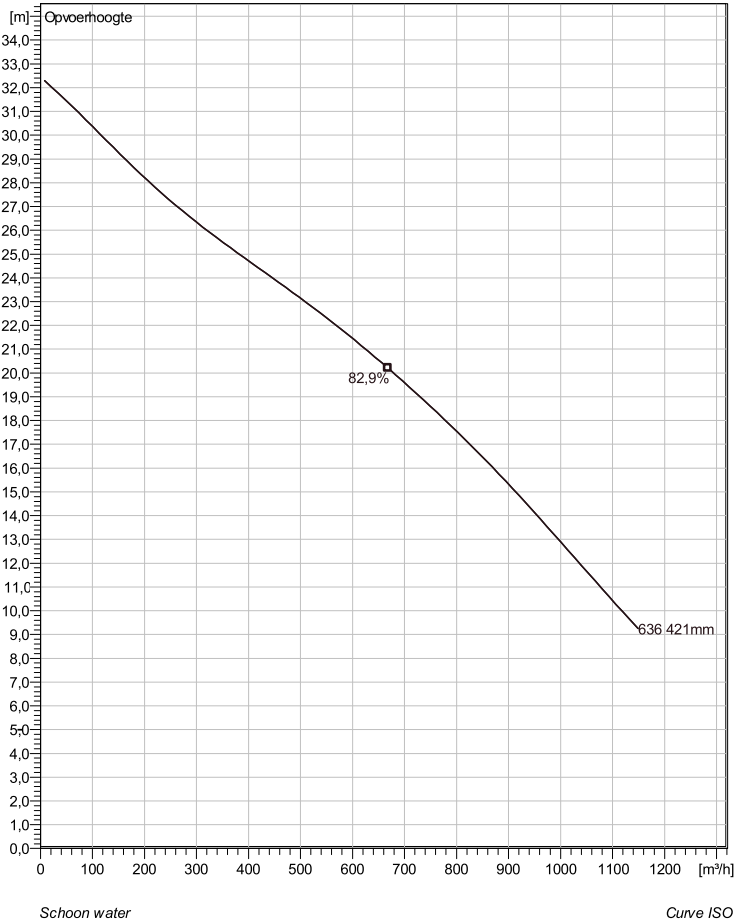


NS 3315 MT 3~ 636 Technische specificaties



Note: Picture might not correspond to the current configuration.

General

Dompelbare pompen voorzien van een verstoppingsongevoeilige N-waaiër. Geschikt voor afvalwater met grotere delen zoals rioolwater, regenwater en industriële afvalwater. Materiaal gietijzer.

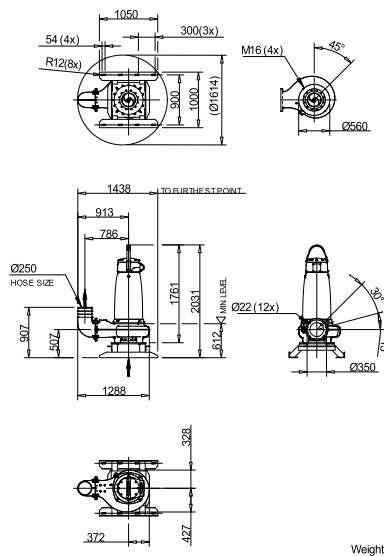
Impeller

| | |
|-----------------------|----------------|
| Impeller material | Grey cast iron |
| Persaansluiting | 250 mm |
| Diameter aanzuigzijde | 250 mm |
| Impeller diameter | 421 mm |
| Aantal bladen | 3 |

Motor

| | |
|--------------------|--------------------------------------|
| Motor # | N3315.180 35-35-6AA-W 75KW standaard |
| Stator variant | 9 |
| Frequentie | 50 Hz |
| Nominale spanning | 380 V |
| Aantal polen | 6 |
| Fasen | 3~ |
| Nominaal vermogen | 75 kW |
| Toegekende stroom | 160 A |
| Aanloopstroom | 995 A |
| Nominaal toerental | 985 rpm |
| Vermogensfactor | |
| 1/1 Load | 0,78 |
| 3/4 Load | 0,72 |
| 1/2 Load | 0,60 |
| Motor efficiency | |
| 1/1 Load | 91,2 % |
| 3/4 Load | 91,8 % |
| 1/2 Load | 91,5 % |

Soort installatie: Semi permanent, Nat



Dimensional dwg
NS 3315 MT

Weight

| | | | | |
|---------|------------|------------|-------------------------|-------------|
| Project | Project ID | Created by | Created on 10/5/2018 | Last update |
|---------|------------|------------|-------------------------|-------------|

NS 3315 MT 3~ 636

Karakteristiek

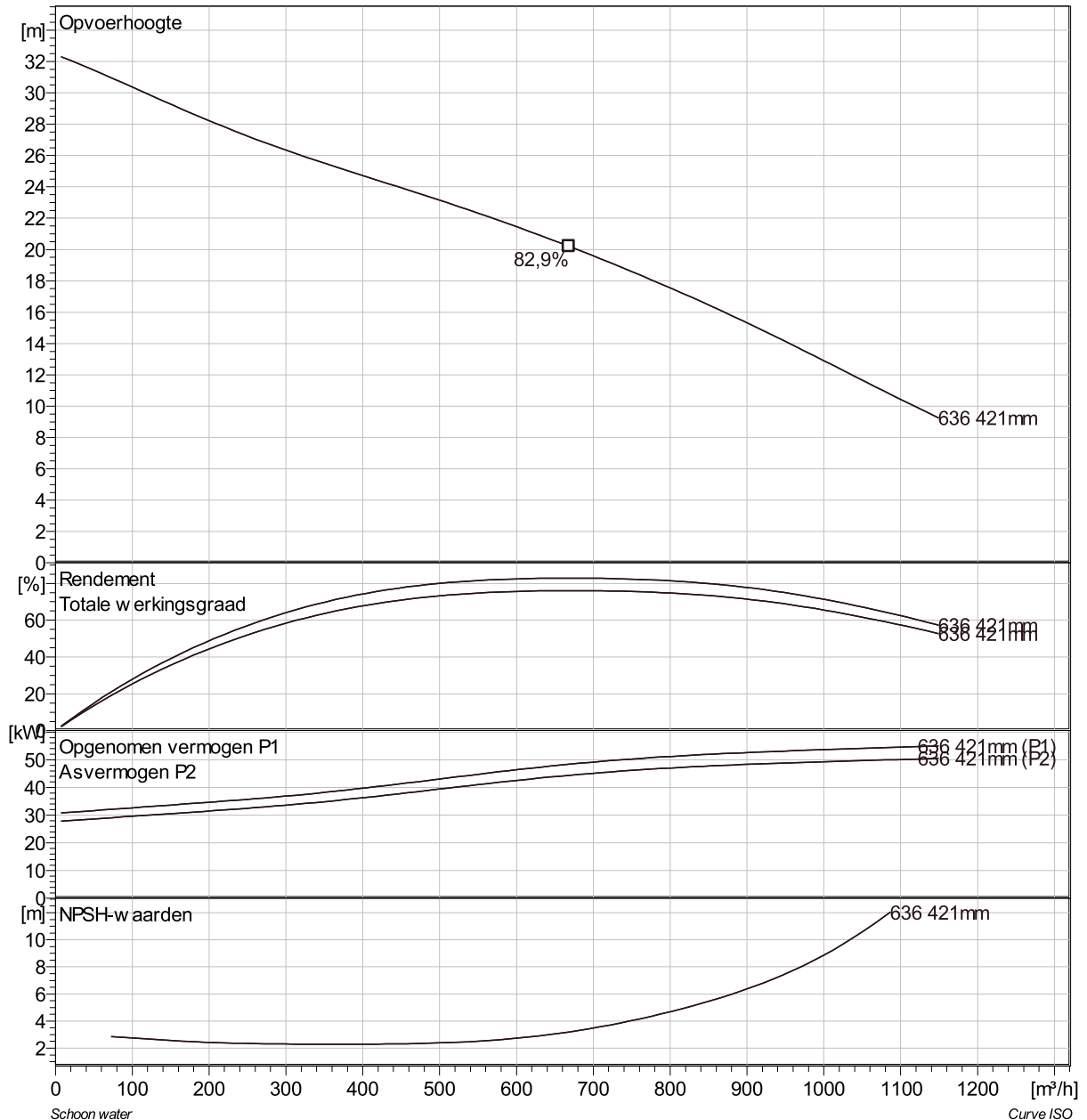
Pomp

| | |
|-----------------------|--------|
| Persaansluiting | 250 mm |
| Diameter aanzuigzijde | 250 mm |
| Impeller diameter | 421 mm |
| Aantal bladen | 3 |

Motor

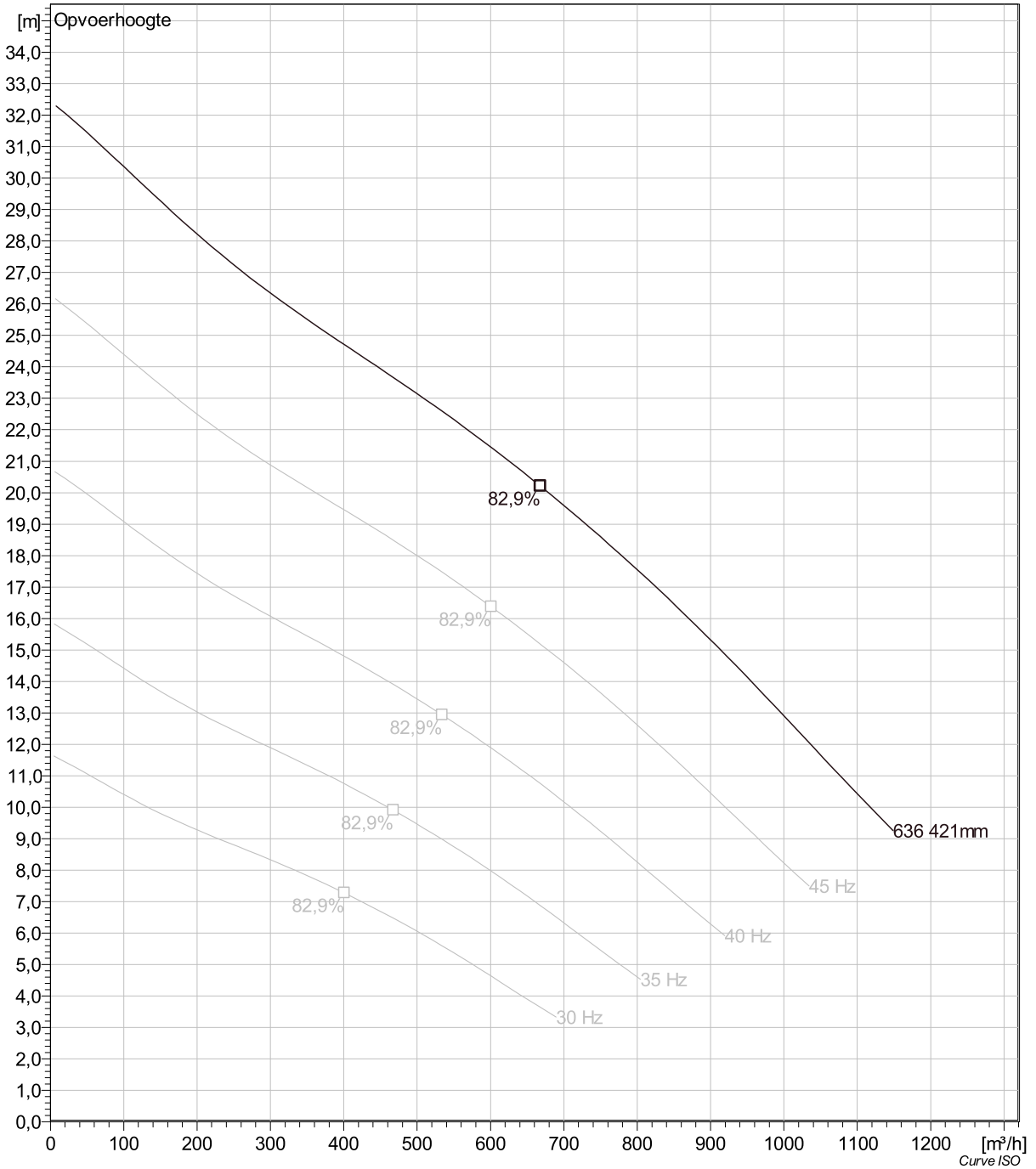
| | |
|--------------------|----------------------------|
| Motor # | N3315.180 35-35-6AA-W 75KW |
| Stator variant | 9 |
| Frequentie | 50 Hz |
| Nominale spanning | 380 V |
| Aantal polen | 6 |
| Fasen | 3~ |
| Nominaal vermogen | 75 kW |
| Toegekende stroom | 160 A |
| Aanloopstroom | 995 A |
| Nominaal toerental | 985 rpm |

| | |
|------------------|--------|
| Vermogensfactor | |
| 1/1 Load | 0,78 |
| 3/4 Load | 0,72 |
| 1/2 Load | 0,60 |
| Motor efficiency | |
| 1/1 Load | 91,2 % |
| 3/4 Load | 91,8 % |
| 1/2 Load | 91,5 % |



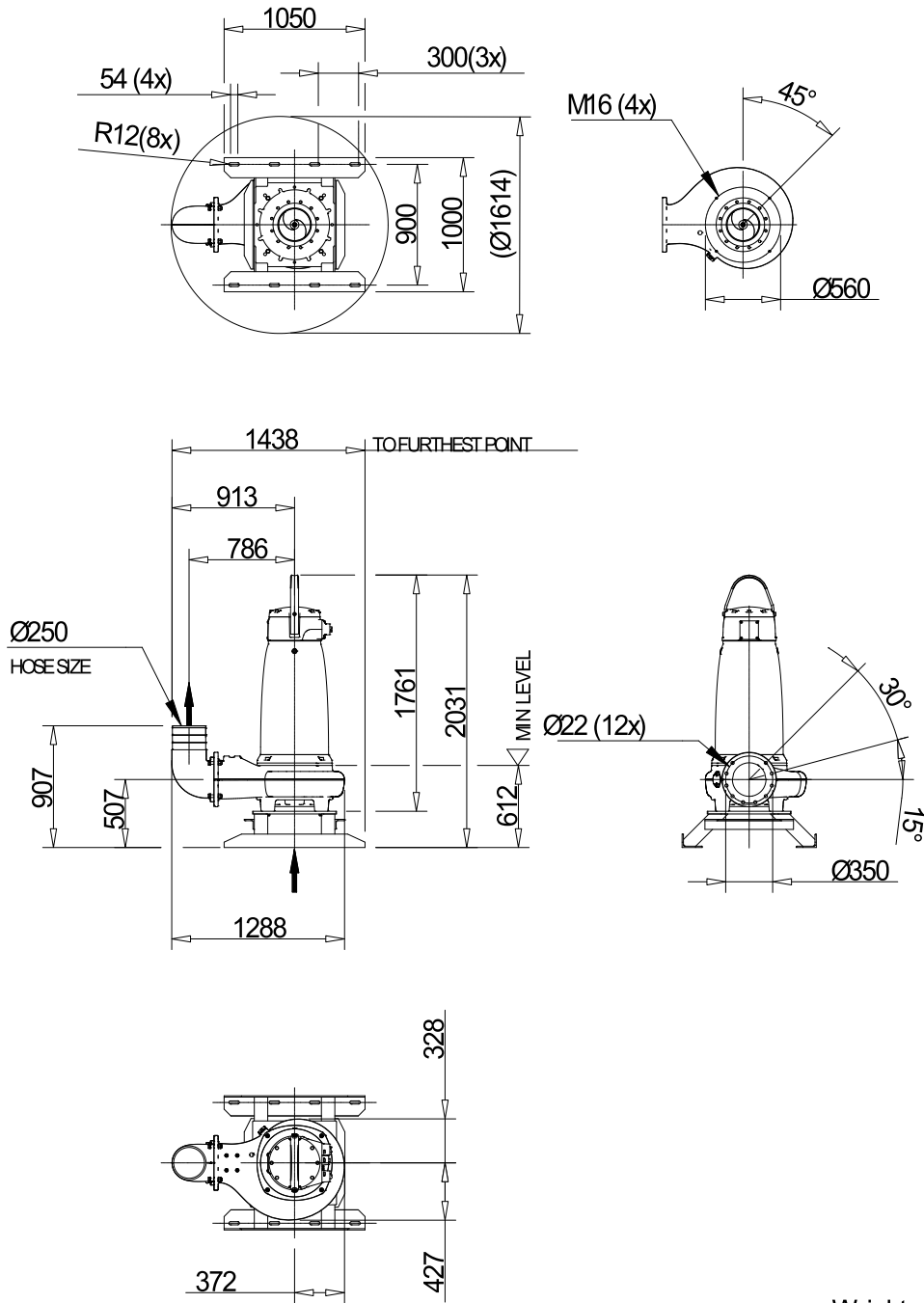
| | | | | |
|---------|------------|------------|-------------------------|-------------|
| Project | Project ID | Created by | Created on 10/5/2018 | Last update |
|---------|------------|------------|-------------------------|-------------|

NS 3315 MT 3~ 636 VFD Analysis



| Project | Project ID | Created by | Created on | Last update |
|---------|------------|------------|------------|-------------|
| | | | 10/5/2018 | |

NS 3315 MT 3~ 636 Dimensional drawing



Weight

Dimensional drwg
NS3315MT

| Project | Project ID | Created by | Created on | Last update |
|---------|------------|------------|------------|-------------|
| | | | 10/5/2018 | |